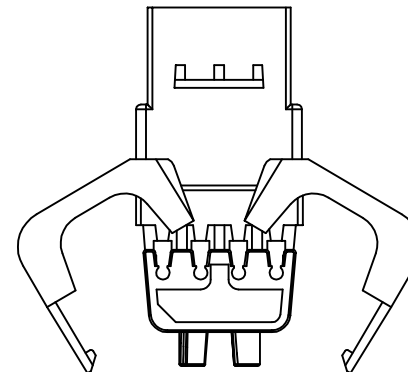
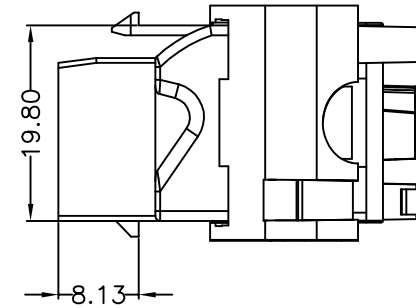
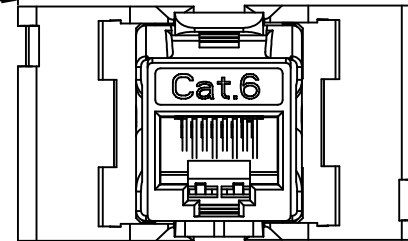
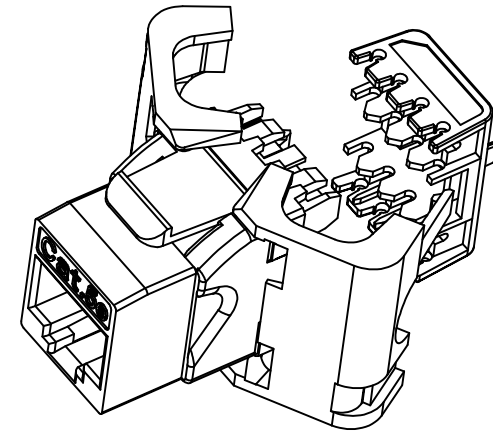
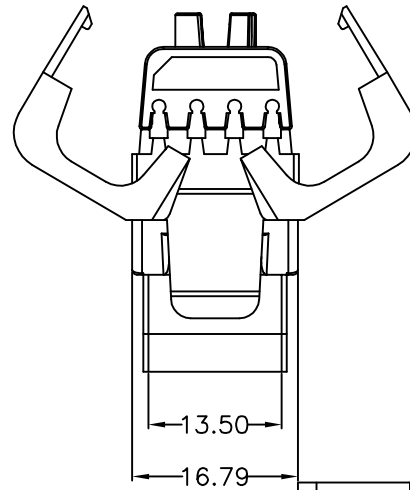




TITLE: UTP Cat.6 Keystone jack 180 degree  
P/N: CL-KJU-C610



NOTES:

ELECTRICAL:

1. VOLTAGE RATING : 125 VAC RMS
2. CURRENT RATING : 1.5 AMP
3. CONTACT RESISTANCE : 100 MILLIOHMS MAX
4. INSULATION RESISTANCE : 1000 MEGOHMS MIN @ 500 VDC
5. DIELECTRIC STRENGTH : 750 VAC RMS 60Hz,1MIN
6. C6 PERMANENT LINK : CONFORM TO ANSI/TIA/EIA-568 B.2-1

ENVIRONMENTAL:

1. STORAGE : -40° TO +85°
2. OPERATION : 0° TO 70°

MATES WITH MODULAR PLUG CONFORMING TO FCC PART 68, SUBPART F

MECHANICAL:

1. HOUSING MATERIAL : PC UL94V-0
2. INSERT MATERIAL : ABS UL94V-0
3. PCB MATERIAL : FR-4 T=1.2mm
4. CONTACT MATERIAL : PHOSPHOR BRONZE STAMP PIN T=0.35mm
5. IDC CONTACT MATERIAL: PHOSPHOR BRONZE T=0.50mm, TIN PLATING
6. RJ45 JACK LIFE : 750 TIMES MIN
7. IDC LIFE : 200 TIMES MIN
8. WIRE : AWG 22~26
9. TIA Cat 6 Perm. Link Test: Worst pair NEXT margin  $\geq 3.0$ dB
10. Retentiveness of insertion structure: 50N 60 $\pm$ 5s