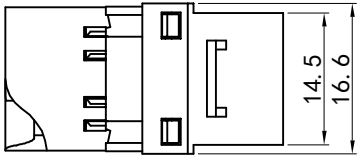
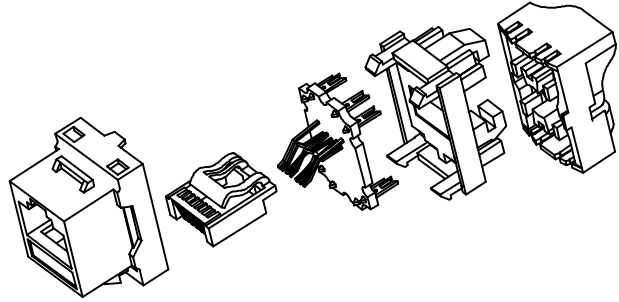
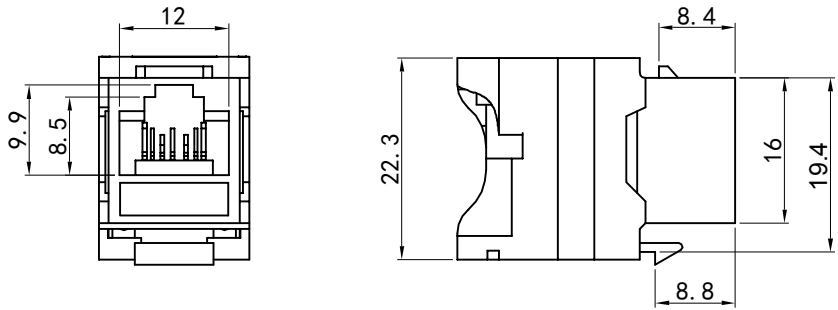



REVISION RECORD				
REV	ECO	DESCRIPTION	DRFT	CHKD



MECHANICAL

1. HOUSING MATERIAL: PC UL 94V-0
2. INSERT MATERIAL : FLAME RETARDANT ABS UL94V-0
3. PCB MATERIAL : FR-4 THINKNESS:1.6MM
4. CONTACT MATERIAL: PHOSPHOR BRONZE T=0.35MM 8P8C 3u"Gold Plated
5. IDC CONTACT : PHOSPHOR BRONZE T=0.50MM WITH NICKEL PLATING
6. RJ45 JACK LIFE: 750 TIMES MIN
7. IDN LIFE : 200 TIMES MIN
8. WIRE : AWG 24-26
9. RETENTIVENESS OF INSERTION STRUCTURE: 50N 60±5s

DETACHED LISTS	← MM (INCH) →		DFTO	DATE	 Shenzhen Coppered Technology Co.,Ltd CopperLead
	TOLERANCES EXCEPT AS NOTED		CHKD	DATE	
	MM	±	MFO	DATE	
	INCH	±	APPLY	DATE	
MATERIAL :		MATERIAL :		TITLE UTP Cat.6 Keystone Jack	
ANGLES ±		QT'Y :		DRAWING NO.	
THIRD ANGLE PROJECTION		FINISH :		/PART NO. CL-KJU-C6L1	
		SCALE :		DO NOT SCALE DRAWING	
				SHEET OF	

8 | 7 | 6 | 5 | 4 | 3 | 2 | 1

H
G
F
E
D
C
B
A